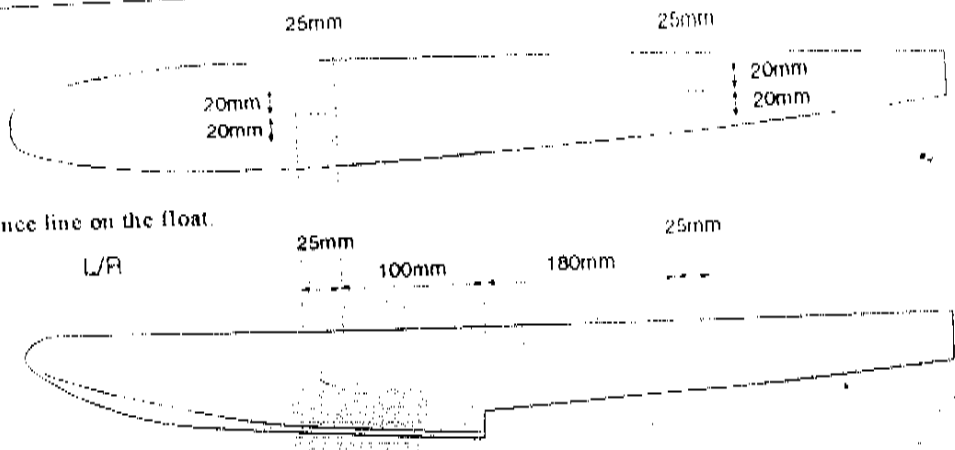
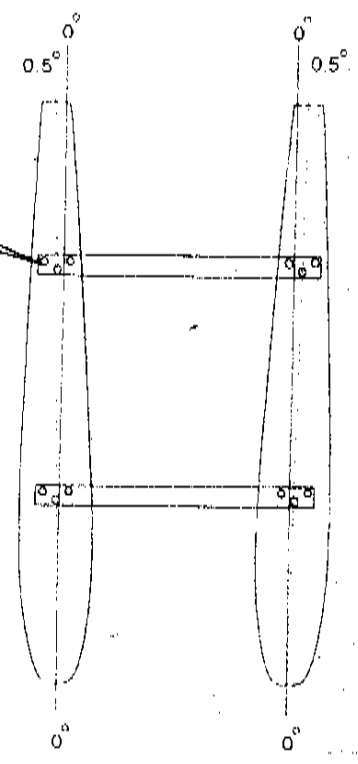
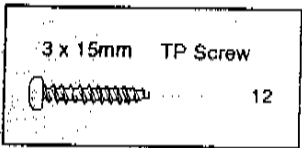
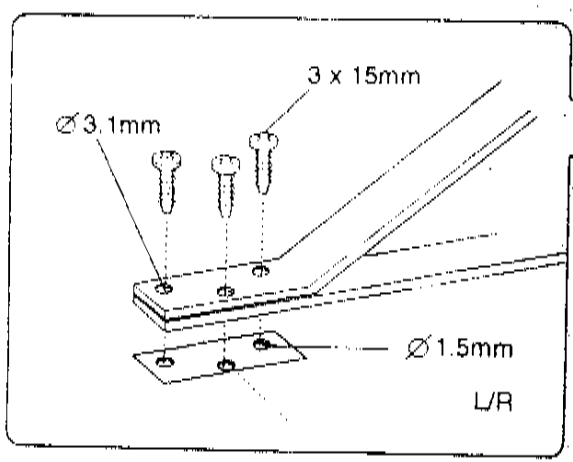


1



▶ Use pencil to mark the reference line on the float.

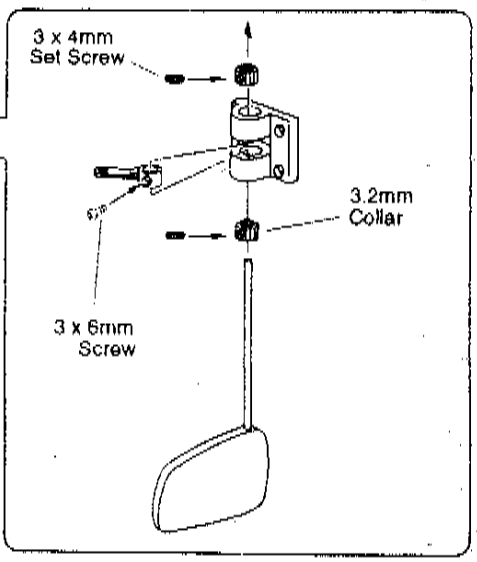
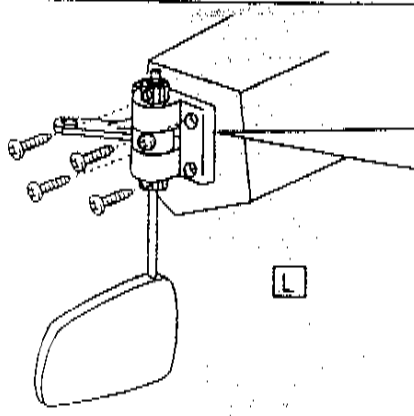
2



▶ Drill 3.1mm holes on the aluminum strut and 1.5mm holes on the float.
 Secure the aluminum strut to the float by 3x15mm screw.
 The centerline of the left float is not parallel to the right float.
 Approximate 1° difference between the centerline of left and right floats.
 The distance between left and right floats in the nose should be a bit closed.

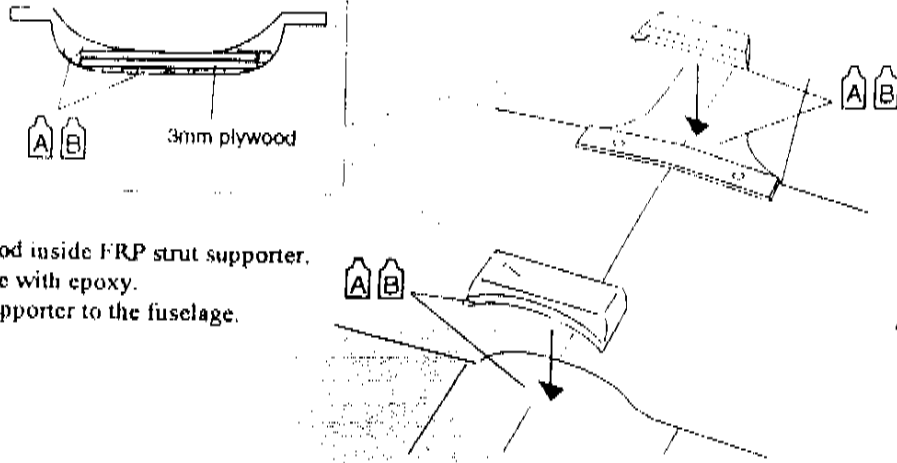
3

- 3 x 6mm Screw 8
- 3.2mm Collar 2
- 3 x 4mm Set Screw 2
- 3 x 15mm TP Screw 4



▶ Attach the rudder on the right float as shown in diagram.
 Connect the linkage to the rudder servo.
 (Remarks: The linkage accessories are not included.)

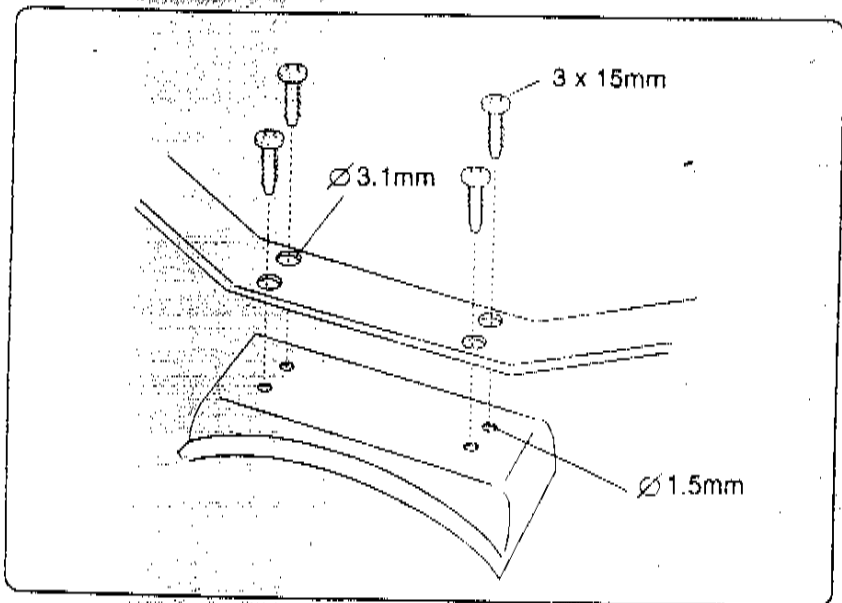
4



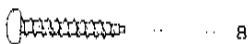
- ▶ Epoxy the 3mm plywood inside FRP strut supporter. Fill out the empty space with epoxy. Epoxy the FRP strut supporter to the fuselage.

5

- ▶ Drill 3.1mm holes on the aluminum strut and 1.5mm on the supporter. Secure the aluminum strut to the right position.

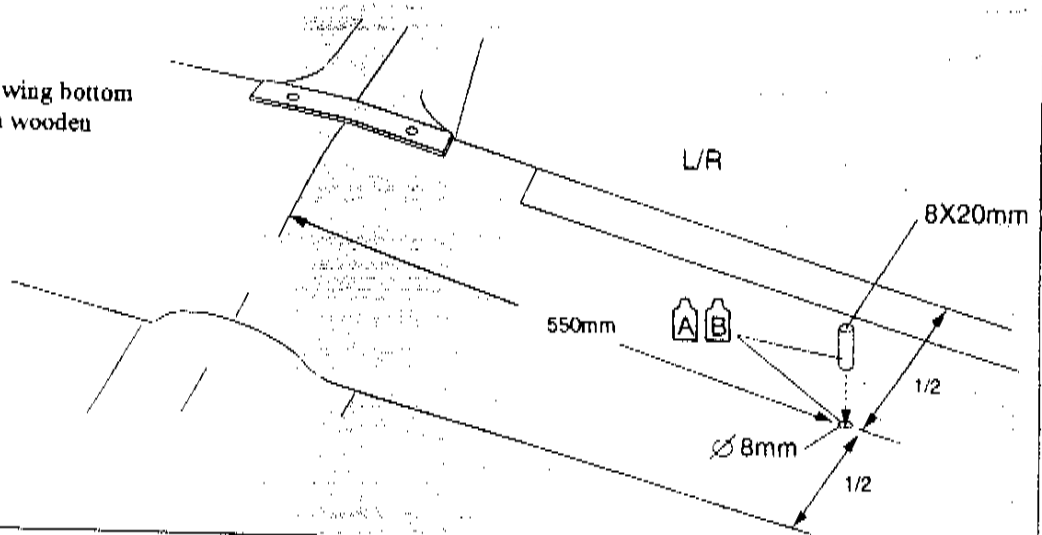


3 x 15mm TP Screw



6

- ▶ Drill the 8mm holes on the wing bottom panel and glue the 8x20mm wooden dowel with epoxy.



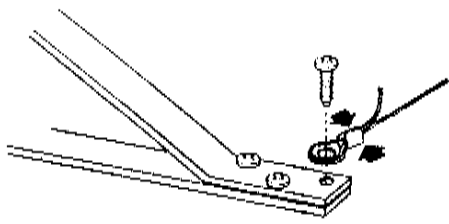
Wood dowel 8x20mm



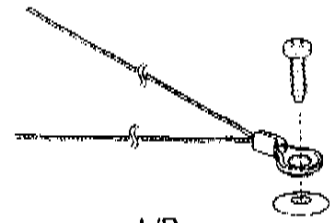
2

7

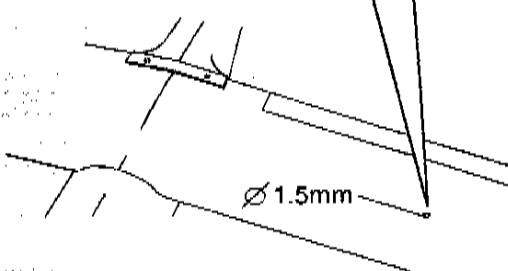
Remove the outer screw from the strut. Tighten the wire to the connector and reinstall the screw together. Apply the same procedure to the others.



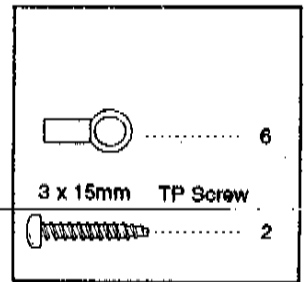
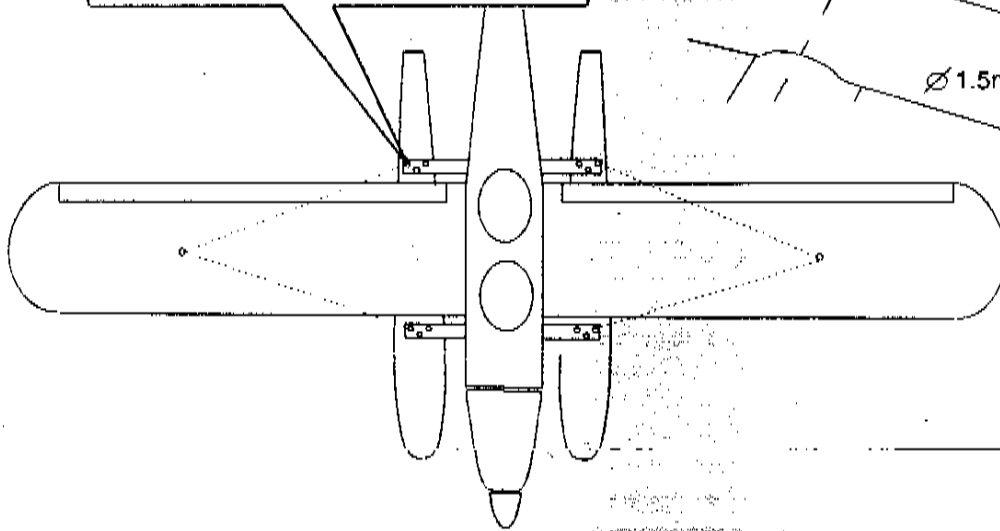
Drill 1.5mm holes on the wooden dowel of the wing bottom panel. Secure the wire connector to the wing bottom panel.



L/R

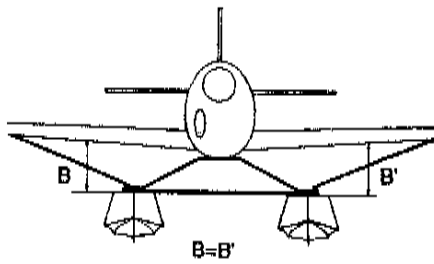


$\varnothing 1.5\text{mm}$



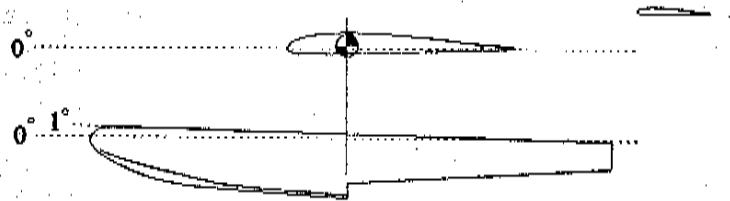
6
3 x 15mm TP Screw
2

8



B=B'

Adjust the distance B = B'.



The incident angle of the float should be +1° against the centerline of the wing. Confirm the step on the bottom of the float should be exactly aligns to the C.G. position of the airplane.